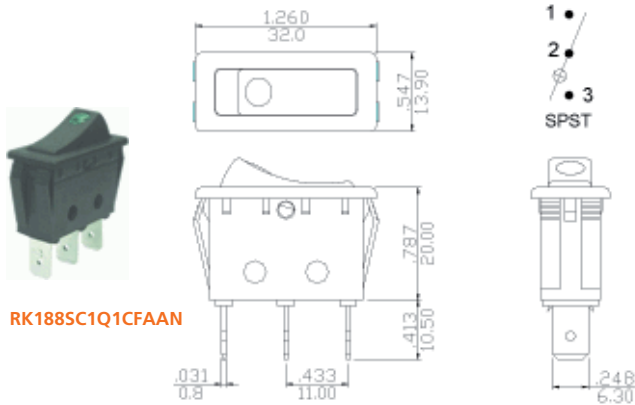


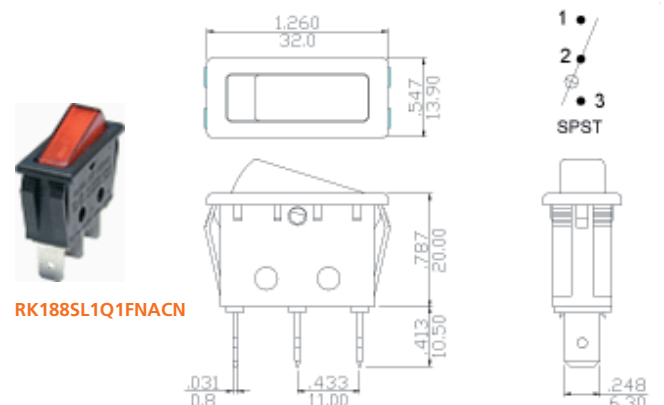
# Rocker Switches

SP Rocker Switch up to 20A 125VAC (illuminated)

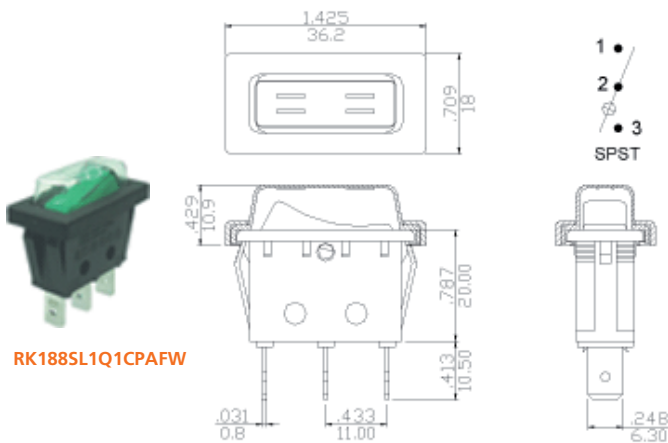
RK188 Series



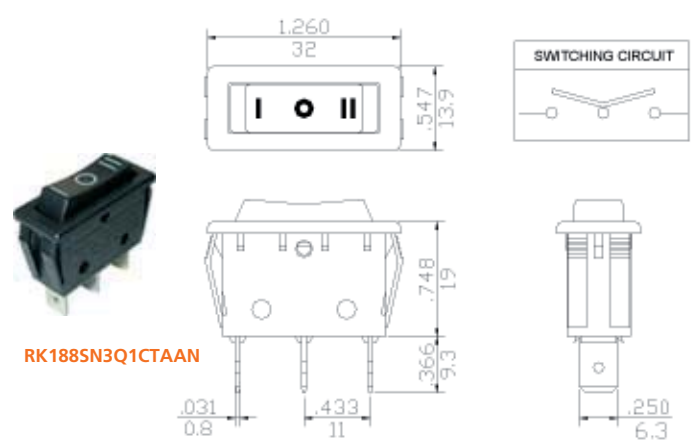
RK188SC1Q1CFAAN



RK188SL1Q1FNACN



RK188SL1Q1CPAFW



RK188SN3Q1CTAAN

## General Specifications:

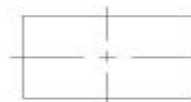
- > Rating: 16A125/250VAC, 65°C (ON-OFF-ON) (UL/CUL)
  - 16A125/250VAC 1/4HP (UL, CSA)
  - 20A125VAC (UL)
  - 20A125VAC / 16A250VAC, 3/4HP 125/250VAC T105 (UL/CUL)
  - 16(4)A250V T85/55 1E4, 10(2)A250V T85/55 5E4 (VDE, ENEC)
  - 20(8)A250V T125/55 (VDE, ENEC)
- > Initial Contact Resistance: 20m ohm Max.
- > Insulation Resistance: 100M ohm Min. at 500VDC
- > Dielectric Strength: 1,000 VAC for 1 minute
- > Electrical Life: 10,000 cycles (16(4)A250VAC)
  - 50,000 cycles (10(2)A250VAC)
- > Temperature range: -20°C to +85°C

TOLERANCES UNLESS OTHERWISE SPECIFIED:

$$\pm \frac{0.012}{0.30} \text{ (in/mm)}$$

## Materials:

- > Base: Nylon 66 UL 94V-2
- > Actuator: Nylon 66 /PC, UL 94V-2
- > Spring: Piano Wire
- > Contacts: Silver Alloy
- > Terminals: Silver plated copper
- > Lamp: Neon for AC; Tungsten bulb for DC



Snap-in mounting

x-panel thickness

X	Dim.Y	Dim.Z
0.75 to 1.25 mm	30.0+0/-0.1	11.0+0.1/-0
1.25 to 2 mm	30.2+0/-0.1	11.0+0.1/-0
2 to 3 mm	30.5+0/-0.1	11.0+0.1/-0

## How to order:

RK188



### 1 POLES:

S Single Pole

### 2 ILLUMINATION:

- N No Illumination
- L With Illumination
- C Circle Len

### 3 SWITCHING:

- 1 ON-OFF
- 2 ON-ON
- 3 ON-OFF-ON
- 4 MOM-OFF
- 5 MOM-ON
- 6 MOM-OFF-MOM
- 7 MOM-OFF-ON
- 8 ON-MOM(OFF)

### 4 TERMINAL TYPE:

- Q1 QUICK-CONNECT
- Q2 QUICK-CONNECT
- D1 SOLDER TAG
- D2 SOLDER TAG
- 5 ACTUATOR:
- C Curve
- F Flat

### 6 ACTUATOR MARKING:

- N
- H
- O
- S
- P
- T
- F Green Len
- C Red Len
- D Orange Len

### 7 BASE COLOR:

- A Black
- H Grey
- B White

### 8 ACTUATOR COLOR:

- H Gray (only non-illuminated/circle len)
- A Black (only non-illuminated/circle len)
- B White (only non-illuminated/circle len)
- C Red
- F Green
- D Orange

### 9 WATERPROOF:

- N None
- W With Waterproof Cap