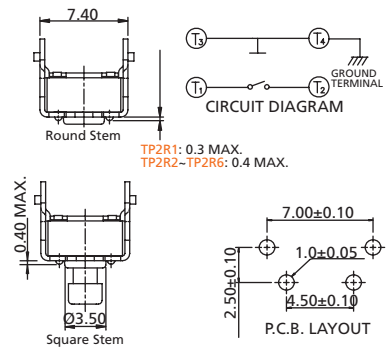
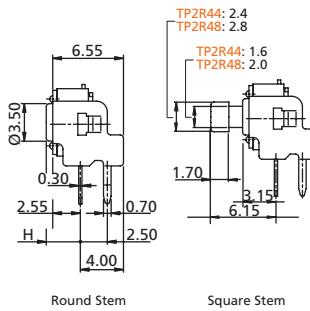
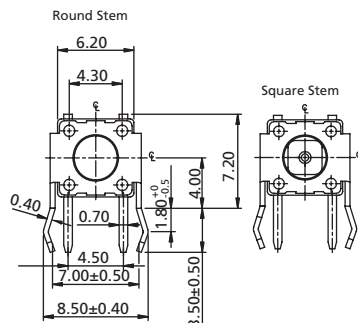


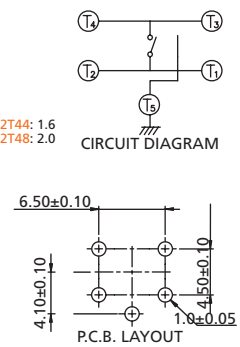
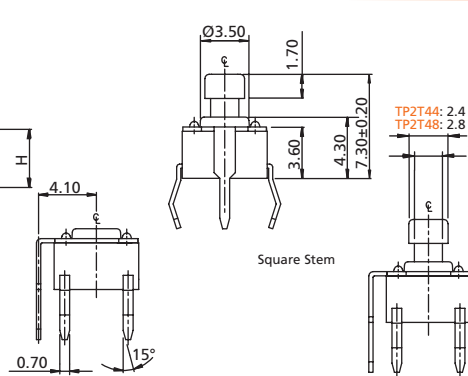
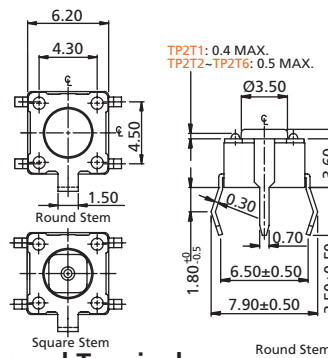
# Tactile Switches

## 6 x 6 mm THT Tactile Switches with Ground Terminal

## TP2 Series

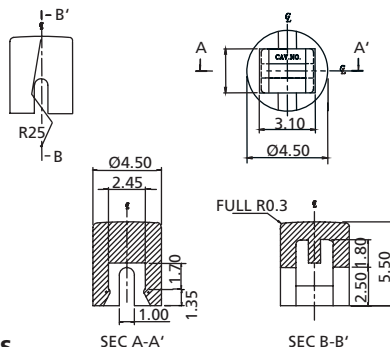


**TP2R** Right Angle Type with Ground Terminal

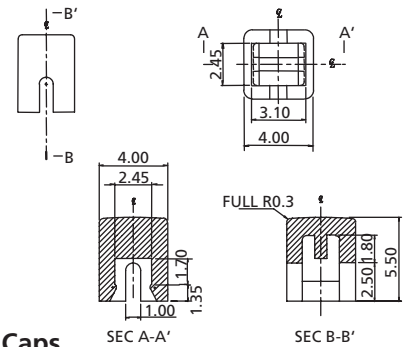


**TP2T** Top Type with Ground Terminal

Tactile Switches



**K06R** Round Caps



**K06S** Square Caps

### How to order:

TP2      +   (Caps)

**1 TYPE OF TACTILE SWITCH:**  
**R** Right Angle Type with Ground Terminal  
**T** Top Type with Ground Terminal

**2 DIMENSION "H" FOR TP2R:**  
**1** H=3.15mm (Round Stem)  
**2** H=3.85mm (Round Stem)  
**3** H=5.85mm (Round Stem)  
**44** H=6.15mm (Square Stem 2.4mm)  
**48** H=6.15mm (Square Stem 2.8mm)  
**5** H=8.35mm (Round Stem)  
**6** H=11.85mm (Round Stem)

**3 DIMENSION "H" FOR TP2T:**  
**1** H=4.3mm (Round Stem)  
**2** H=5.0mm (Round Stem)  
**3** H=7.0mm (Round Stem)  
**44** H=7.3mm (Square Stem 2.4mm)  
**48** H=7.3mm (Square Stem 2.8mm)  
**5** H=9.5mm (Round Stem)  
**6** H=13.0mm (Round Stem)

Individual stem heights available by request

**4 MATERIAL OF DOME:**  
**Blank** Phosphor Bronze Dome  
**S** Stainless Steel Dome

**5 PACKAGE STYLE:**  
**BK** Bulk Pack

**6 CAP TYPE (Only for Square Stems):**  
**K06S** Square Caps  
**K06R** Round Caps

**7 COLOR OF CAPS:**  
**A** Black  
**B** Ivory  
**C** Red  
**E** Yellow  
**F** Green  
**G** Blue  
**H** Gray  
**S** Salmon

General Tolerance: ± 0.2 mm

### General Specifications:

#### MATERIALS

- » Contact Disc: Stainless steel
- » Terminal: Brass with silver plated

#### MECHANICAL

- » Stroke: 0.25 (+0.2/-0.1) mm
- » Operation Temperature: -25°C to +70°C
- » Storage Temperature: -30°C to +80°C

#### ELECTRICAL

- » Electrical Life (Phosphor Bronze Dome):  
 50,000 cycles for 320gf, 520gf  
 100,000 cycles for 260gf  
 200,000 cycles for 100gf, 160gf
- » Electrical Life (Stainless Steel Dome):  
 300,000 cycles for 320gf, 520gf  
 500,000 cycles for 260gf  
 1,000,000 cycles for 100gf, 160gf
- » Rating: 50mA, 12VDC
- » Contact Arrangement: 1 pole 1 throw

#### LEADFREE SOLDERING PROCESSES

- » Wave Soldering: Recommended solder temperature at 260°C max. 5 seconds subject to PCB 1.6mm thickness.